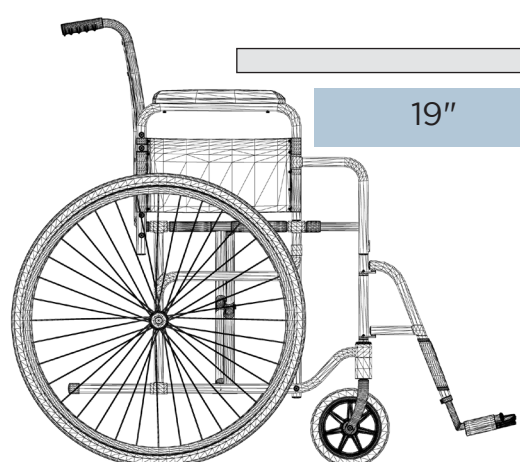


Designing for ADA Compliance

Freestanding and Fixed Tables and Seating (Indoors or Outdoors) Layout



✓ Counter space must meet the same standards.

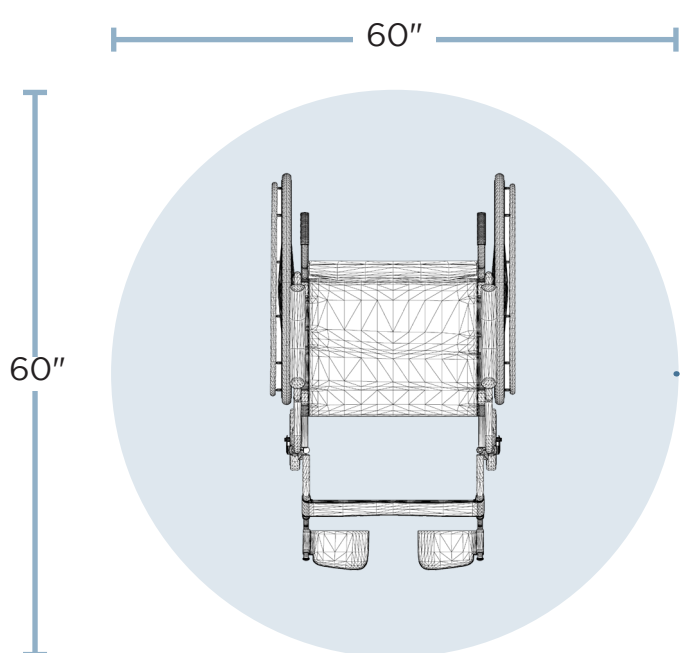
The table height must create at least 27" of knee clearance between the floor and underside of the table.

HOW MANY ADA COMPLIANT TABLES ARE NEEDED?

20+ tables = 5% of total

<20 tables = at least 1 table must be wheelchair accessible

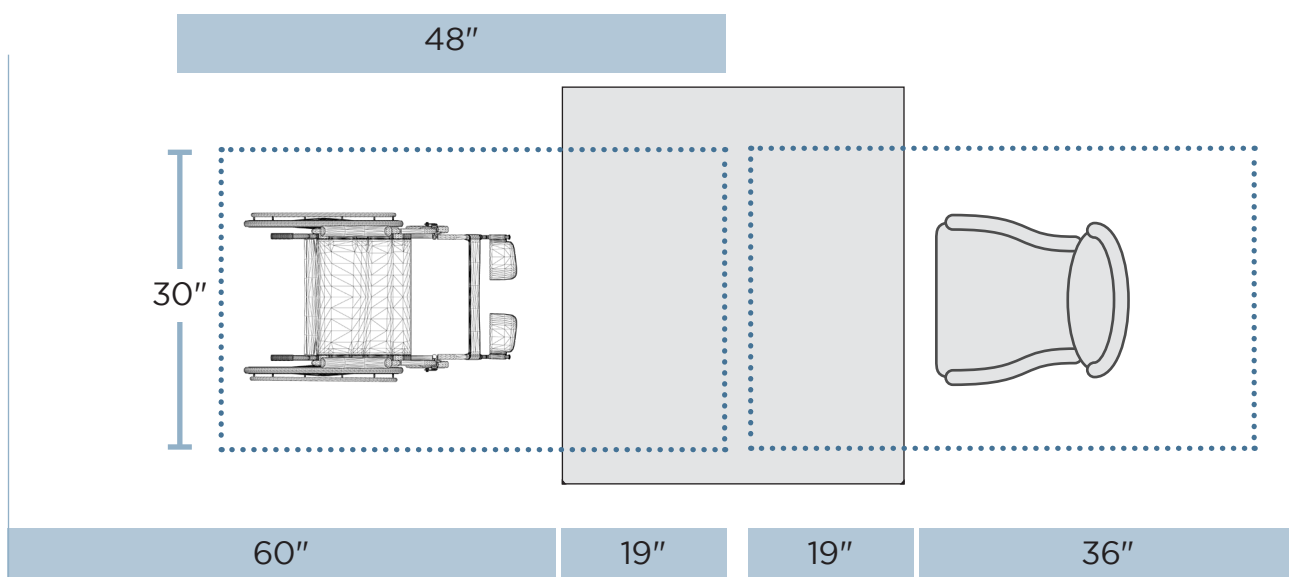
ADA Free Standing Tables for Two



In order for a wheelchair to successfully maneuver around a room, you must allow for 60" from the wall to the front of knee clearance

TABLES MUST ALLOW FOR:

- A height of 28" to 34" with 27" of underside clearance
- Knee clearance of 19"
- Width of 30"

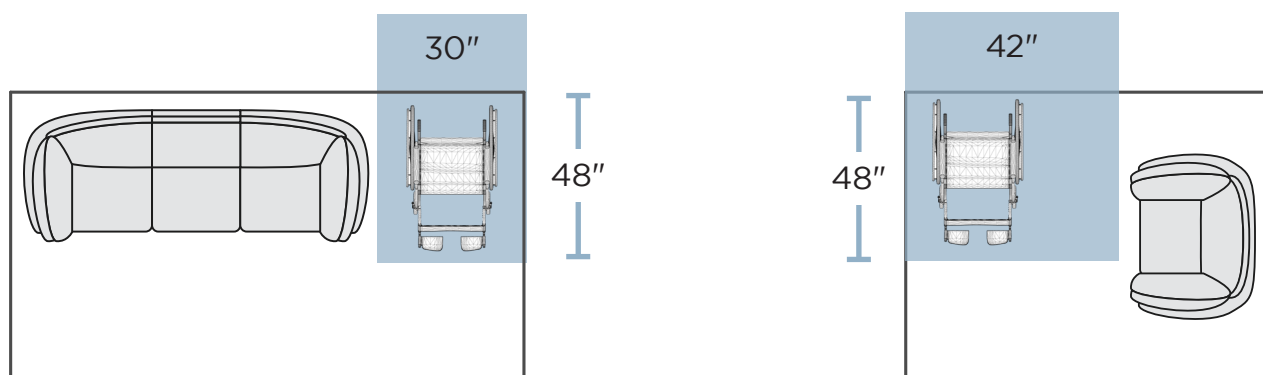


Laying Out Your Space

An accessible route to the table is required. A 30" x 48" space is the minimum required to allow a wheel chair to turn around.

Aisles must be a minimum of 36".

It can be a challenge to make this work in a dining room. Let our expert designers help!



Accessible Path of Travel

